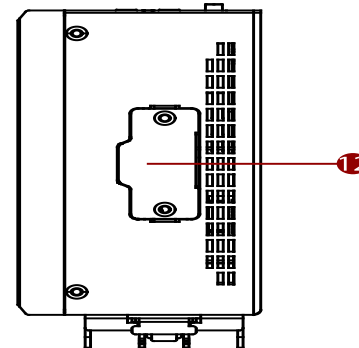
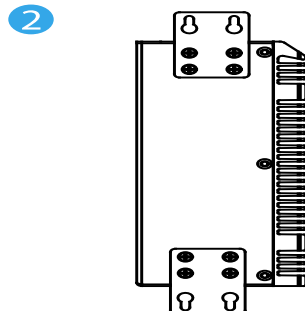
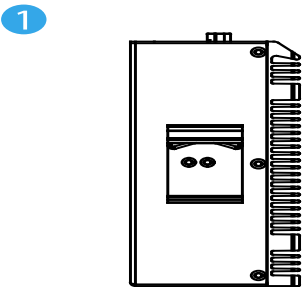


Optional Mounting Solutions



- 1 USB Type-A
- 2 COM
- 3 Power Input
- 4 Reset Button
- 5 Power Button
- 6 COM x2
- 7 Digital I/O
- 8 Audio
- 9 HDMI
- 10 LAN
- 11 USB Type-A
- 12 RTC Battery Cover, SIM Card Cover (Optional)